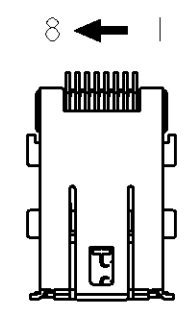


THIS DRAWING IS UNPUBLISHED. RELEASED FOR PUBLICATION
 © COPYRIGHT — ALL RIGHTS RESERVED.

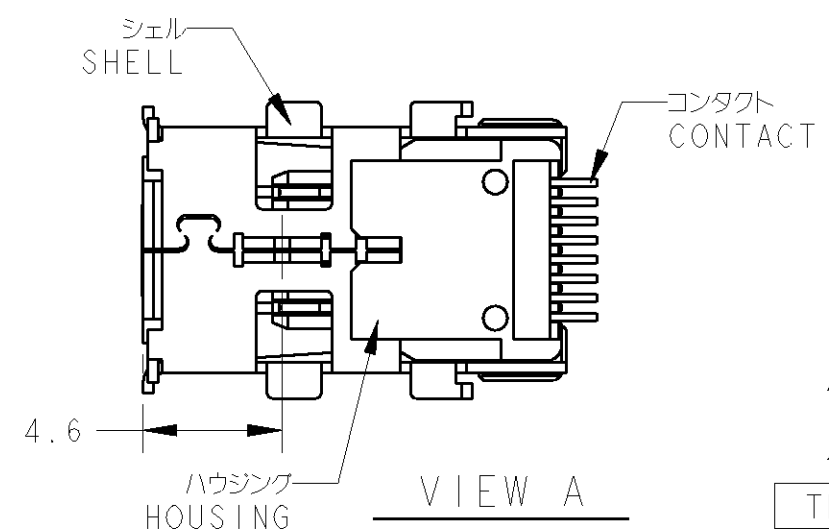
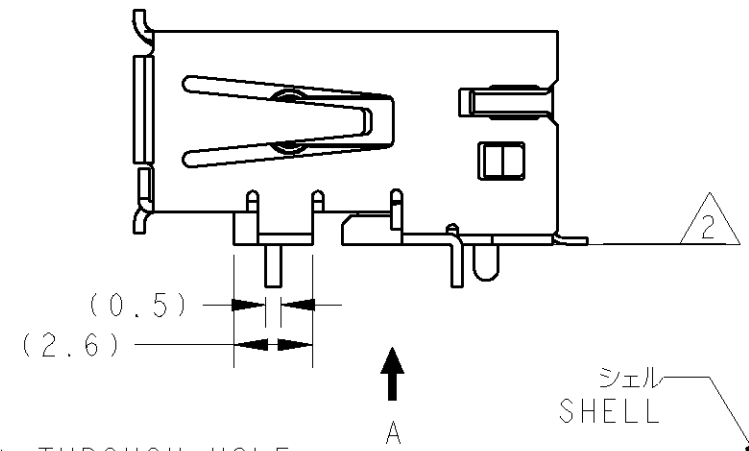
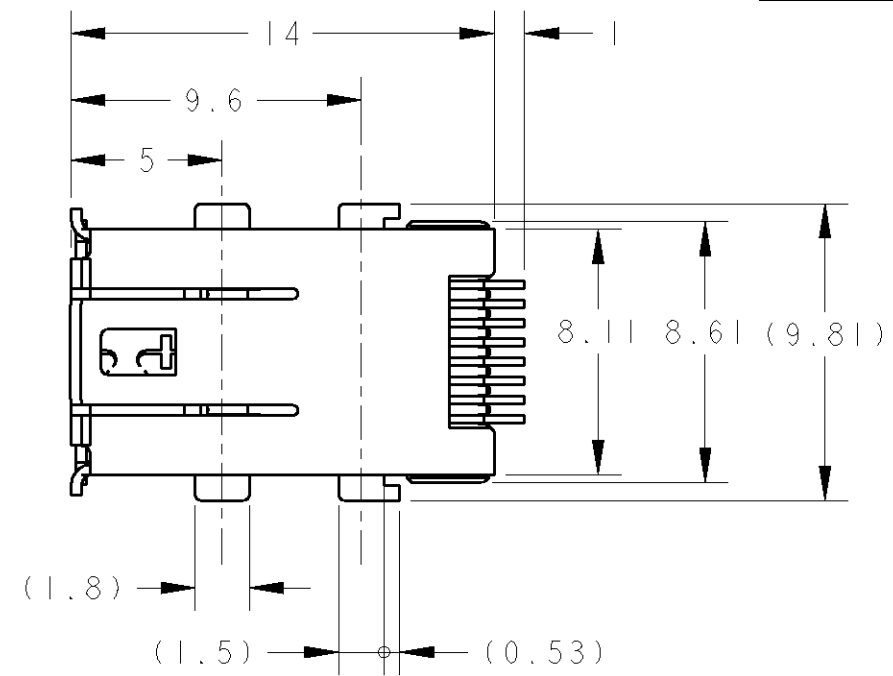
LOC	DIST	REVISIONS					
		P	LTR	DESCRIPTION	DATE	DWN	APVD
-	-	A2		REVISED PER ECO-11-005030	26APR11	RK	HMR



D-SHAPE TYPE 2



回路番号
CIRCUIT NO.



注記
 ① 材料及び仕上げ
 コンタクト
 材料: 銅合金
 全面Ni 下地めっき 1.27μmMIN
 接点部: Auめっき 0.5μmMIN
 半田付け部: Auフラッシュめっき
 ハウジング
 材料: 熱可塑性樹脂
 難燃性 UL 94V-0
 シェル
 材料: 銅合金
 全面Ni 下地めっき
 全面Snめっき

② SMTリード先端部の平坦度(コプラナリティー): 0.1MAX

③ 顧客決定寸法

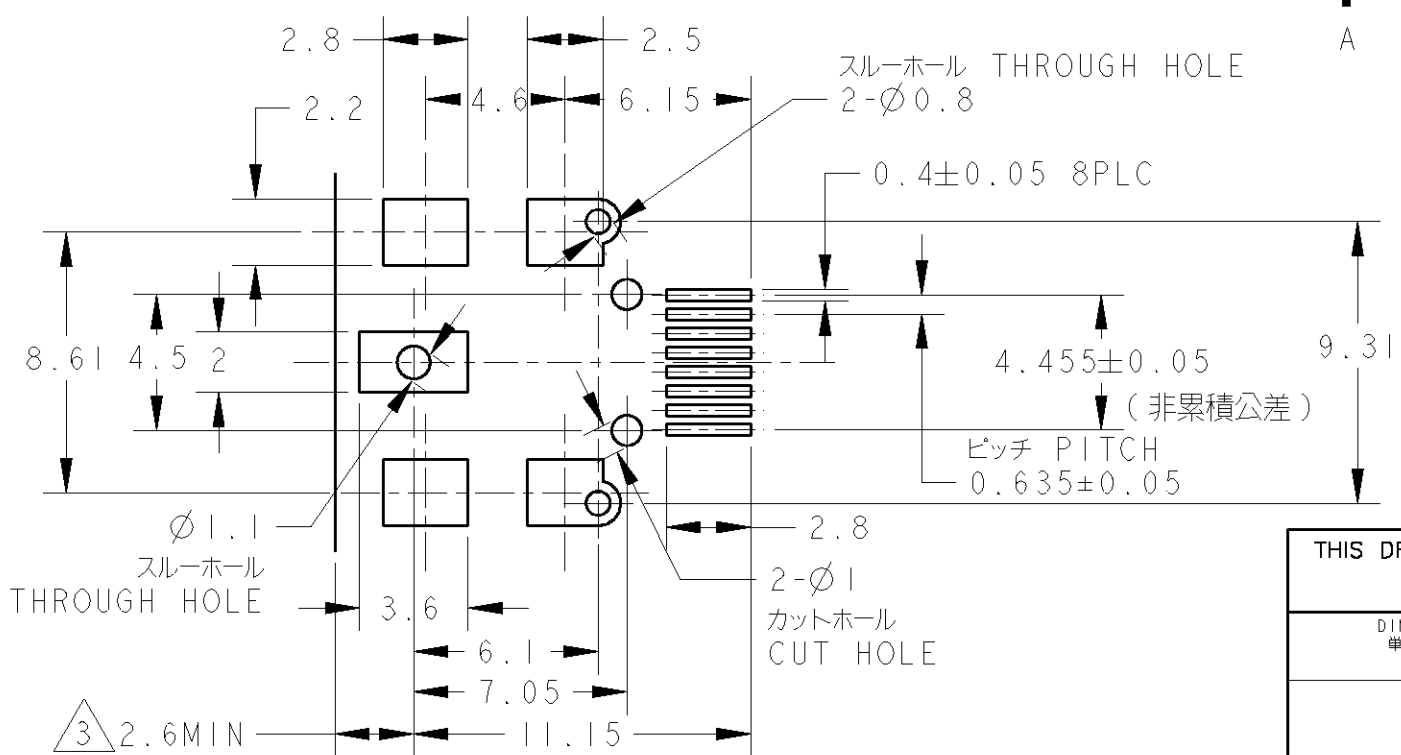
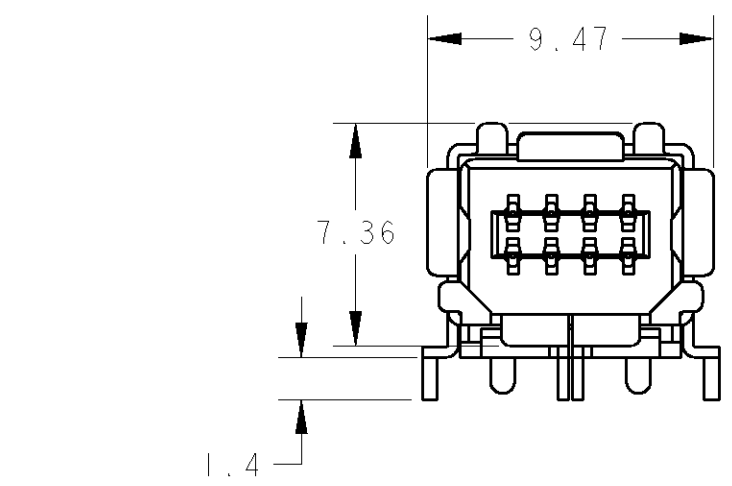
NOTE
 ① MATERIAL AND FINISH
 CONTACT
 COPPER ALLOY
 UNDER ALL SURFACE Ni 1.27μm MIN
 TOP CONTACT AREA Au 0.5μm MIN
 SOLDERING AREA Au FLASH

HOUSING
 THERMO PLASTIC(UL94V-0)

SHELL
 COPPER ALLOY
 UNDER ALL SURFACE Ni
 TOP ALL SURFACE Sn

② COPLANARITY 0.1 MAX(TOP OF LEAD)

③ DIMENSION DECIDED BY CUSTOMER.



推奨基板寸法(実装面側) ±1.6
 RECOMMENDED BOARD DIMENSION
 (CONNECTOR SIDE) ±1.6

THIS DRAWING IS A CONTROLLED DOCUMENT.

DIMENSIONS: 単位: 概 mm	TOLERANCES UNLESS OTHERWISE SPECIFIED: 一般公差 ±0.2	DWN S. INOMATA 13NOV2007
	0-PLC ±	CHK I. HASEGAWA 13NOV2007
	1-PLC ±	APVD I. HASEGAWA 13NOV2007
	2-PLC ±	PRODUCT SPEC 108-78405
	3-PLC ±	APPLICATION SPEC
MATERIAL 材料	FINISH 仕上	取付適用規格
		WEIGHT -

CUSTOMER DRAWING	SCALE 4:1	SHEET 1 OF 2	REV A2
------------------	-----------	--------------	--------

TRAY (SEE SHEET 2 OF 2)	1981386-1
PACKAGING STYLE	PART NO.
TE TE Connectivity	
INDUSTRIAL MINI I/O CONN. 1.27MM PITCH 8P HDR ASSY D-SHAPE TYPE 2	
SIZE A3	RESTRICTED TO -
CAGE CODE -	DRAWING NO 1981386

4

3

2

1

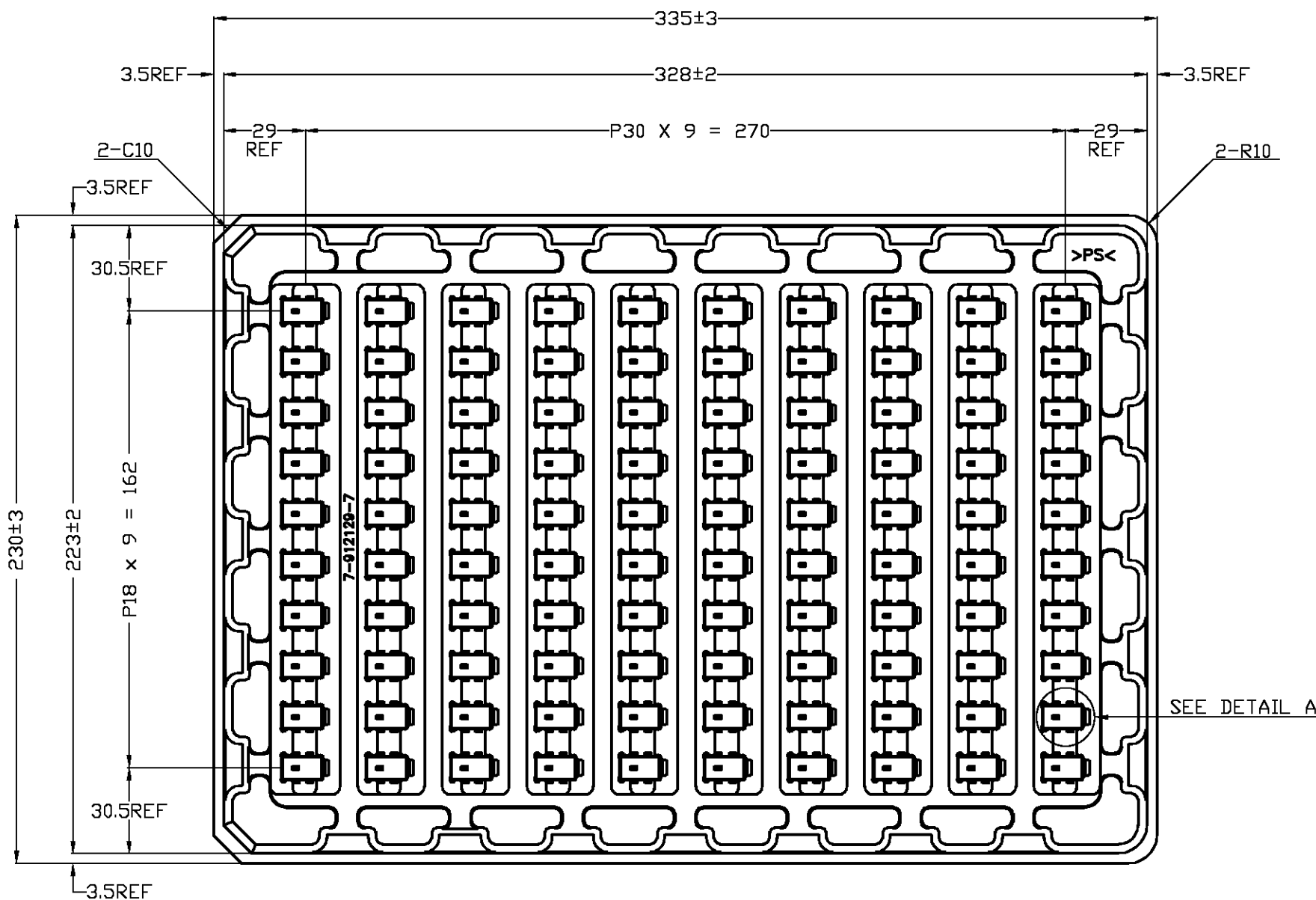
THIS DRAWING IS UNPUBLISHED.

RELEASED FOR PUBLICATION

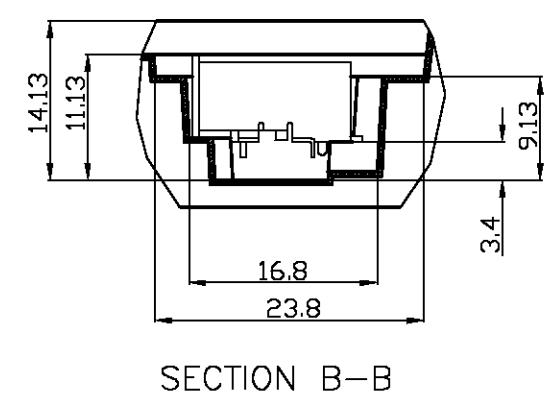
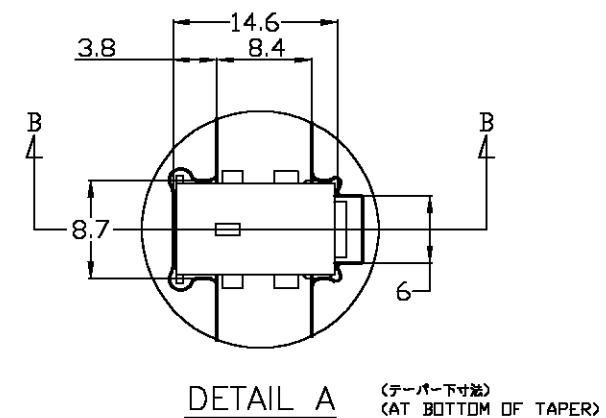
ALL RIGHTS RESERVED.

© COPYRIGHT

LOC	DIST	REVISIONS					
		P	LTR	DESCRIPTION	DATE	DWN	APVD
-	-	-	-	SEE SHEET 1	-	-	-



-1: 本図
1: AS SHOWN



注記
 △トレー材質: ポリスチレン
 5 製品入り数: 100 / 1トレー

NOTE
 △TRAY MATERIAL: POLYSTYRENE
 5 PRODUCT QUANTITY: 100 / 1TRAY

THIS DRAWING IS A CONTROLLED DOCUMENT.		DWN	SEE SHEET 1	TE Connectivity INDUSTRIAL MINI I/O CONN. 1.27MM PITCH 8P HDR ASSY D-SHAPE TYPE 2			
DIMENSIONS: 単位: 耗 mm		CHK	SEE SHEET 1			NAME	名称
TOLERANCES UNLESS OTHERWISE SPECIFIED: 一般公差 ±0.5		APVD	SEE SHEET 1			SIZE	A3
0-PLG ± 1-PLG ± 2-PLG ± 3-PLG ± 4-PLG ± ANGLES ±		PRODUCT SPEC	製品規格			CAGE CODE	-
MATERIAL 材料 △		FINISH 仕上	-	DRAWING NO	番号 C-1981386		
CUSTOMER DRAWING		WEIGHT	-	RESTRICTED TO	-		
		SCALE	尺度 NONE	SHEET	2 OF 2		
		REV	A2				